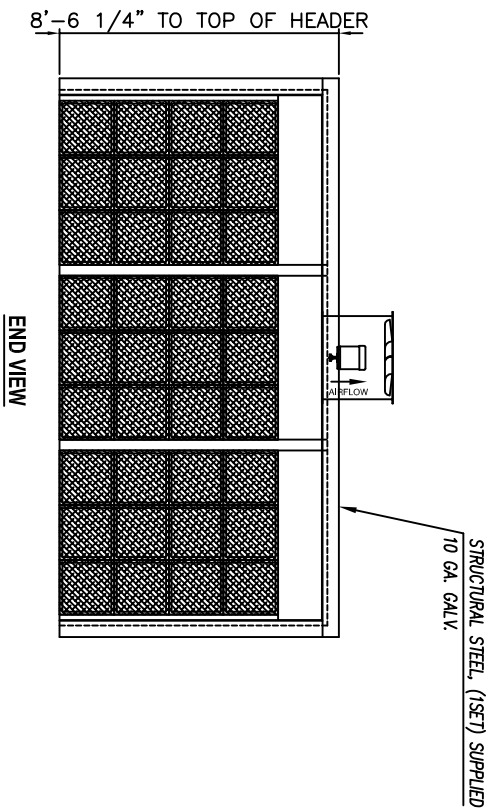
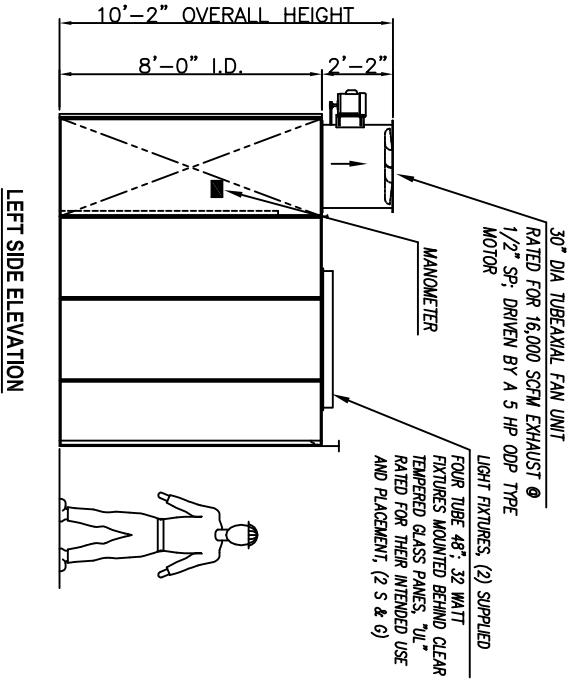
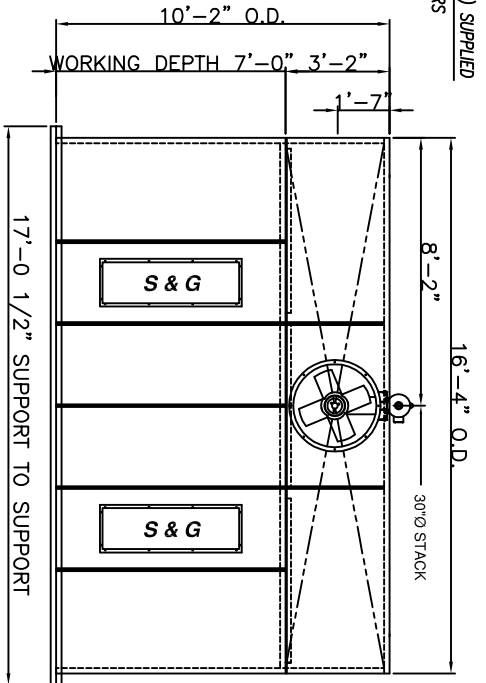
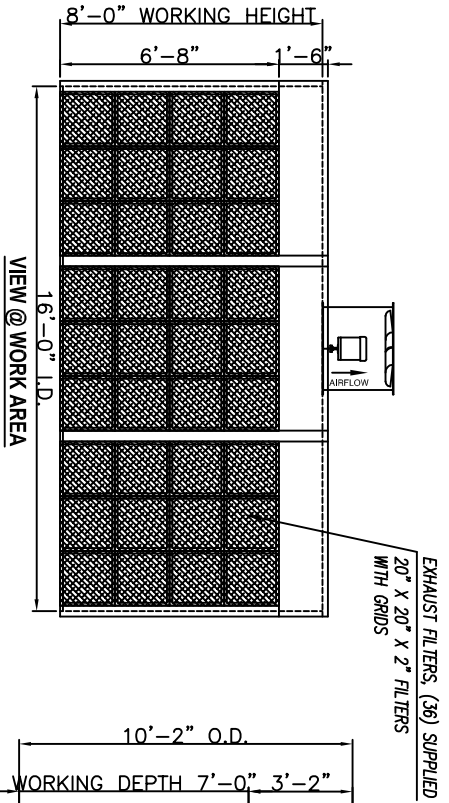


THE ASSEMBLY DRAWINGS YOU HAVE RECEIVED ARE FOR GENERAL REFERENCE. OPTIONAL ACCESSORIES MAY BE ORDERED AT THE TIME OF ORDER OR BY PURCHASE ORDER FOR A COMPLETE DESCRIPTION OF YOUR BOOTH ORDER.



COL-MET SPRAY BOOTHS ARE MFG. IN ACCORDANCE WITH FIC-2000 SECTION 1504.1.2.1 THROUGH 1504.1.2.2, SECTION 1504.2.3, SECTION 1504.2.5, SECTION 1504.2.7, SECTION 1504.3, SECTION 1504.3.1, SECTION 1504.3.2, AND NFPA-33

BOOTH WALLS & CEILING PANELS FABRICATED OF G-90, 18 GA. GALVANIZED STEEL IN ACCORDANCE WITH THE FIC-2000 SECTION 1504.1.2.1 & 2005 NFPA-33 CHAPTER 5.1

SEE ORDER ACKNOWLEDGEMENT FOR COMPLETE LIST OF PROVIDED STACK, AND OPTIONAL COMPONENTS

COL-MET
Spray booths

OPEN FRONT INDUSTRIAL BOOTH

FILE NAME	CONTRACT NO. X	ISSUE DATE	O.T.	DATE	ISSUED	SCALE
IB-1608-07	111-1608-07-01-01	07/21/2005				1:1
APPR.	CHKD.	DATE	BY	REV.		