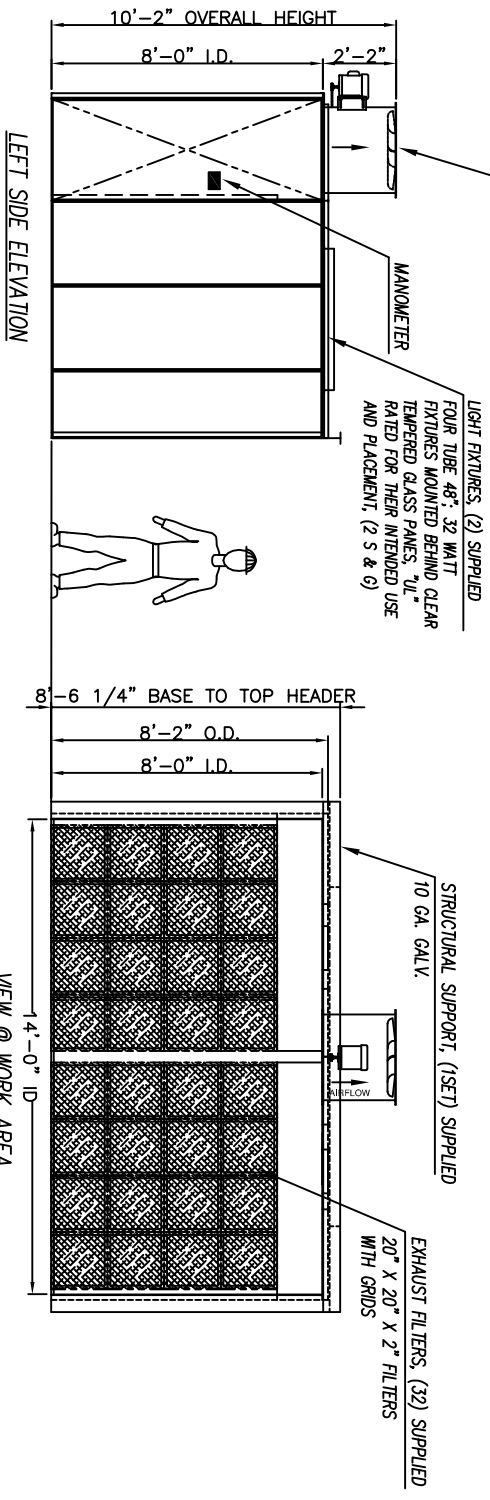
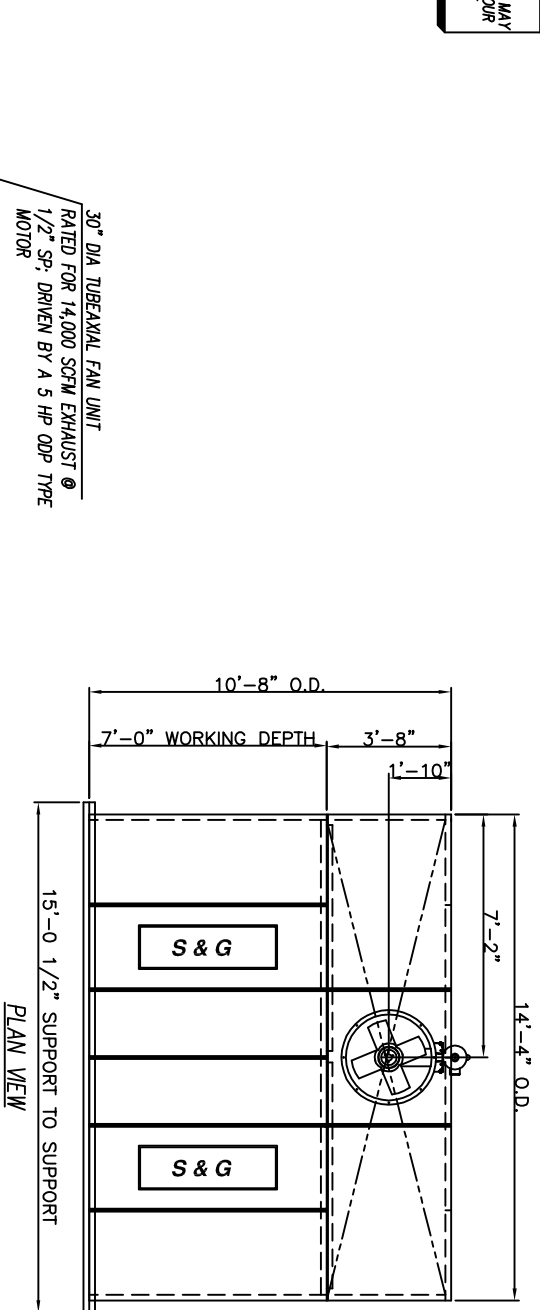


THE ASSEMBLY DRAWINGS YOU HAVE RECEIVED ARE IN A GENERAL REFERENCE. OPTIONAL ACCESSORIES MAY NOT BE SHOWN AS PROVIDED. PLEASE REFER TO YOUR PURCHASE ORDER FOR A COMPLETE DESCRIPTION OF YOUR BOOTH ORDER.



COL-MET SPRAY BOOTHS ARE MFG. IN ACCORDANCE WITH IFC-2000 SECTION 1504.1.2.1 THROUGH 1504.1.2.2, SECTION 1504.2.3, SECTION 1504.2.5, SECTION 1504.2.7, SECTION 1504.3, SECTION 1504.3.1, SECTION 1504.3.2, AND NFPA-33

BOOTH WALLS & CEILING PANELS FABRICATED OF G-90, 18 GA. GALVANIZED STEEL, IN ACCORDANCE WITH THE IFC-2000 SECTION 1504.1.2.1 & NFPA -33 CHAPTER 3.1

SEE ORDER ACKNOWLEDGEMENT FOR COMPLETE LIST OF PROVIDED STACK COMPONENTS

COL-MET

Spray Booths

FILE NAME	CONTRACT NO	ISSUED	DATE	SCALE
OPEN FRONT INDUSTRIAL BOOTH	X	IB-1408-07	11/1-1408-07-01-01	1:1
ISSUED	DATE	SCALE	SHEET 1 OF 2	
11/1-1408-07-01-01	1:1	1:1		